

Pembroke Patio Non Locking



Features

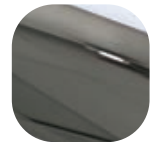
- **Solid die cast zinc construction**
Heavyweight handles with sturdy feel
- **Sculpted ergonomic D ring handles**
Easy to grip, softly sculptured
- **Non handed design**
D ring handles can easily be reversed
- **Includes screw and spindle pack to suit 40-70mm profiles**
Everything needed for installation included
- **Colour coordinated screw heads**
Perfectly matching hardware, even down to the smallest details
- **Silicon Site-Protectors available**
Ensures perfect condition after installation
- **Supplied with care instructions**
Helps the homeowner to keep the hardware in optimal condition
- **Each part packaged in a separate chamber, but supplied as a set**
No scratching of parts during transit



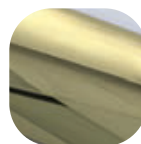
Hardex
Chrome



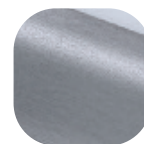
Hardex
Satin



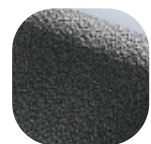
Hardex
Bronze



Hardex
Gold



Hardex
Graphite



Antique
Black



White

Pembroke Patio Non Locking

Ordering Details

Product

Pembroke Patio Non Locking

Finish	Part No.
Hardex Chrome	1M051
Hardex Satin	1M052
Hardex Bronze	1M053
Hardex Gold	1M055
Hardex Graphite	1M058
Antique Black	1M056
White	1M050

Technical Information

Corrosion resistance

Meets the requirements of BS EN 1670:2007 Grade 5 (480 hours)

Material Specification

Handle Grip and Backplate:	High quality Zinc for all finishes
Coatings:	Hardex Chrome, Hardex Satin, Hardex Bronze, Hardex Gold, Hardex Graphite, Antique Black and White
Spindle / Screws:	Machine screws with colour coordinated heads for handle. 40mm - 70mm profiles (1 x 7mm x 75mm spindle, 1 x 7mm x 85mm spindle, 1 x 7mm x 95mm spindle; 2 x M5 x 58mm screws, 2x M5 x 70mm screws and 2 x M5 x 80mm screws)
Cylinder:	Euro Cylinder, 92mm PZ

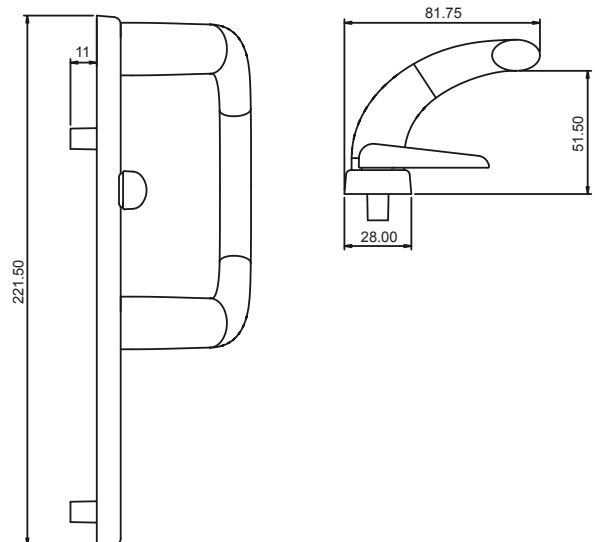
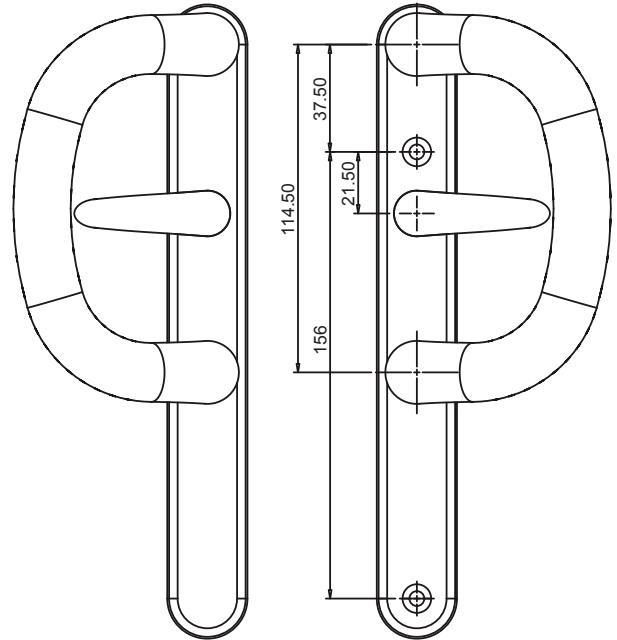
Maintenance

For continued protection of the quality finish and appearance, Fab&Fix advise routine cleaning of all our external hardware. Moving parts should also be lightly lubricated at least twice a year. This procedure is particularly essential if products are used within a 25-mile radius of coastal areas or close proximity to building sites or large industrial areas, where more frequent cleaning may be required to prevent the accumulation of corrosive contaminants.

Packaging

Handles

Individually bagged with screws, spindle and care instructions. 8 handles in an outer box.



All dimensions are in mm and are nominal. Fab&Fix reserves the right to change specification without notice. It is the responsibility of the door manufacturer to ensure that the finished product meets any required safety and performance specification.