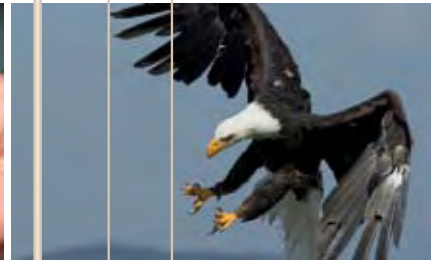


TECHNOLOGY IN MOTION



MACO MULTI

TILT AND TURN FITTINGS



INVISIBLE - Hidden Strength

FULLY CONCEALED
FITTINGS

MACO
MULTI



The demand for partially or fully concealed fittings has increased in recent years. The reasons may be versatile and differ completely from customer to customer. Nonetheless the number one reason remains; aesthetics. INVISIBLE is not only the logical answer to meet these demands, but simply the ideal solution for beautiful windows: The fully concealed second generation fittings in the MACO MULTI segment.



INVISIBLE - Simply better views

MACO
MULTI



INVISIBLE - for flush and rebated window systems



INVISIBLE - An overview of the advantages:

- Can be used with the existing MACO MULTI-TREND and MACO MULTI-MATIC central locking system.
- Increased burglar resistant security in the hinge area.
- Prevents thermal bridges.
- Perfect impermeability.
- No cover caps necessary.
- Lateral adjustment of stay hinges and pivot posts without loosening screws.
- Three-dimensional adjustments of the pivot post.
- Integrated adjustment of the opening angle (90° or 95°).
- Designed for 9mm and 13mm fittings axis.



Modified kinematics



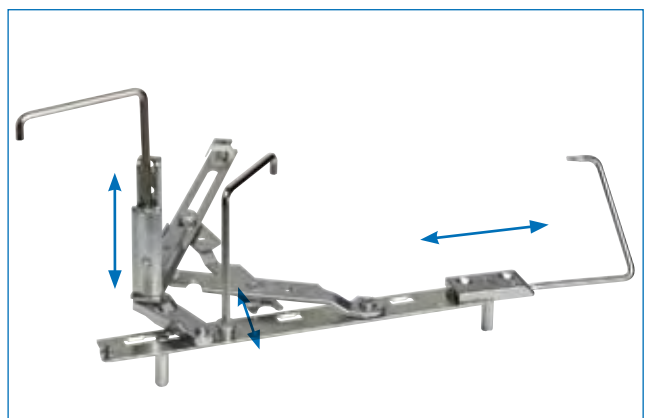
With INVISIBLE fittings, the sash turns only fractionally to the outside. And with this, the required frame space is reduced to a minimum.

Plenty of space is left to fix operation mechanisms for blinds and roller shutters as well as for pleated blinds and curtains.



Optimised opening range

- Opening angles of 90 and 95 degrees: The straightforward opening range conversion is already integrated in the pivot rest.
- By moving the sash away from the reveal, a sash opening of 95 degrees is made possible. With this, an aesthetically more beautiful field of vision through the window is enabled.



Three-dimensionally adjustable while the sash is still hinged.

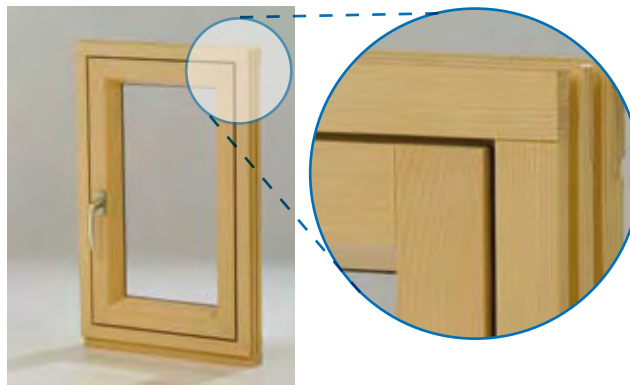
MACO
MULTI



More aesthetics for thermal insulation



Prevents thermal bridges



Ideal for flush timber windows.

The fittings are located fully concealed in the rebate area, ensuring that it does not come into contact with the warmer ambient air and with this effectively prevents thermal bridges.

Security fittings and INVISIBLE - solution - Easy to combine



Due to their compact design, security fittings can be installed right up into the corner areas.



**MACO
MULTI**



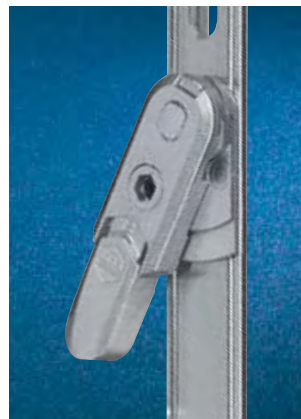
INVISIBLE - Compatible, universal and cost-efficient



Free choice of fittings



*Sash lifter
MACO MULTI-TREND*



*Sash lifter
MACO MULTI-MATIC*

Windows with completely concealed fitting components are compatible with both the MACO MULTI-TREND and MACO MULTI-MATIC fittings.

INVISIBLE fittings can be fabricated using all types of installation techniques

The new fully concealed fittings can be installed traditionally by hand, semi-automatically and fully-automatically.



Manual installation



Semi-automated



Fully-automated

**MACO
MULTI**



Straightforward fabrication

No routing is required on the sash or on the frame.

As a rule, no modifications need to be carried out on the profile.

Cover caps are not required.



Double benefits

With the fully concealed second generation fittings, a trend-setting system for timber and PVC windows is available, that despite increased advantages by a gain in aesthetics and function, results in no increased labour whatsoever in production and installation.



**MACO
MULTI**



MAYER & CO BESCHLÄGE GMBH
ALPENSTRASSE 173
A-5020 SALZBURG
TEL +43 (0)662 6196-0
FAX +43 (0)662 6196-1449
maco@maco.at
www.maco.at

**MACO DOOR & WINDOW
HARDWARE (U.K.) LTD**
EUROLINK INDUSTRIAL CENTRE
CASTLE ROAD, SITTINGBOURNE
KENT ME10 3LY
TEL +44 (0)1795 433900
FAX +44 (0)1795 433901
maco@macouk.net
www.macouk.net

Order no. 750442 - Date: January 2008
All rights reserved and subject to change.